

SCS500-24 MYQ DC WING GATE OPERATOR

Maintenance-free, ultra-quiet for heavy gates in residential and commercial areas.

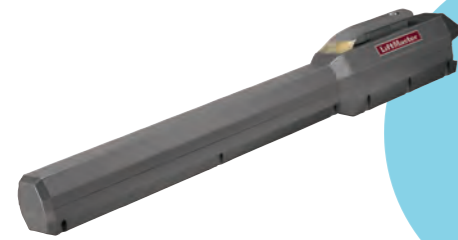
KEY FEATURES

LINEAR DRIVE
For gates up to 5.5 m width per wing

LED LIGHT
LED turns on with activation

HEAVY OPENING
For gates up to 700 kg

MYQ
Compatible



SMART

LINEAR DRIVE SYSTEM FOR POWERFUL PERFORMANCE.

SOFT-START AND SOFT-STOP FOR SMOOTH OPERATION.

MYQ MOBILE APP LETS USERS RECEIVE ALERTS AND CONTROL THE OPENER FROM ANYWHERE.

PEDESTRIAN MODE PARTIAL / ONE WING OPENING POSSIBLE.

QUIET AND RELIABLE

QUIET DC MOTOR ELIMINATES NOISE AND VIBRATIONS AND PROVIDES SMOOTH OPERATION.

HEAVY-OPENING POWER OPERATES GATES UP TO 700 KG.

MAINTENANCE-FREE DRIVE ENSURES QUIET & DURABLE OPERATION.

WARRANTY 2 YEARS.

SECURE & SAFE

AUTOMATIC GATE OPERATOR IMPEDES UNAUTHORIZED ACCESS TO THE PROPERTY.

TIMER-TO-CLOSE AUTOMATICALLY CLOSES THE GATE AFTER A PRESET AMOUNT OF TIME.

EVOLUTION RADIO (SECURITY+ 2.0®) SENDS A NEW CODE WITH EVERY REMOTE CLICK.

AUTOMATIC FORCE SETTING & OBSTACLE DETECTION.

FOR HEAVY GATES IN RESIDENTIAL AND COMMERCIAL AREAS.

POWERFUL ADD-ONS:



4-CHANNEL REMOTE CONTROL

Operates up to 4 openers. Compact to provide quick, easy gate access.



TX4EVS

4-CHANNEL REMOTE CONTROL

Operates up to 4 openers. Compact to provide quick, easy gate access.



TX4UNIF

FAILSAFE SAFETY SENSOR

2-wire system with LiftMaster signal IP44, range 15 meters.



772E

INTERNET GATEWAY

MyQ technology that connects to the internet and allows monitoring and operating the gate opener.



828EV

GATE MONITOR

MyQ® enabled technology allows monitoring and closing up to four gates from any room in the house.



829EV

WIRELESS KEYPAD

Provides convenient, secure access from outside the gate with a 4-digit PIN, temporary PIN possible.



747EV

LED FLASHING LIGHT

Lamp flashes while the drive is in action. Applicable for all garage door and gate door openers.



FLA1-LED

MYQ CONTROL BOARD

For 24 V wing gate operators. With E-Box, transformer and integrated radio module.



CB124EV

MASTERFUL ENGINEERING.

MOTOR

- Heavy-Duty 24 V DC
- Automatic Thermal Protection
- Permanent Lubrication

POWER

- Voltage IN: 230-240 V AC
- Frequency: 50/60 Hz
- Motor Voltage: 24 V DC
- Power Max.: 240 W
- Pulling Force: 300 N

MECHANICS

- Rotations Speed (arm): 32 mm/s
- Time to Open 90°: ~18 s
- Motor Duty Cycle ED: 100%
- Max. Cycles per Day: 300
- Working Temperatures Range: -40 +60 °C
- Protection Class: I
- Degree of Protection: IP44

STANDARD SPECS.

GATE DIMENSIONS

- Max. wing width / weight
- 2.5 m / 700 kg
 - 4.0 m / 450 kg
 - 5.5 m / 250 kg

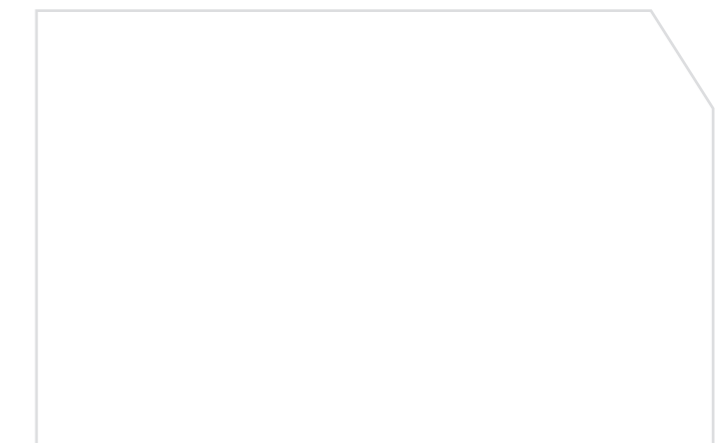
		A						
		12,5	15	17,5	20	22,5	25	25
B	17,5	100°-110°	100°-110°	100°-120°	100°-120°	100°-130°	100°-110°	90°-100°
	20	100°-110°	100°-110°	100°-120°	100°-120°	100°-120°	90°-110°	
	22,5	100°-110°	100°-110°	100°-110°	100°-120°	100°-110°	90°-110°	
	25	90°-110°	100°-110°	100°-110°	100°-110°	90°-110°		
	27,5	90°-110°	100°-110°	100°-110°	100°-110°			
	30	90°-110°	100°-110°	100°-110°				

SAFETY AND SECURITY.

- Emergency Release Key
- Close Safety Reverse
- LED turns on with activation
- Install all equipment in compliance with EN60335-2-103

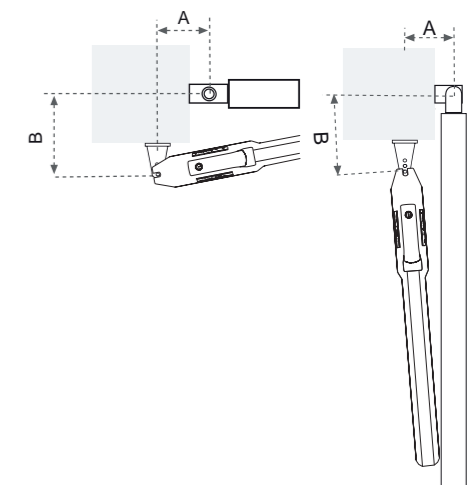
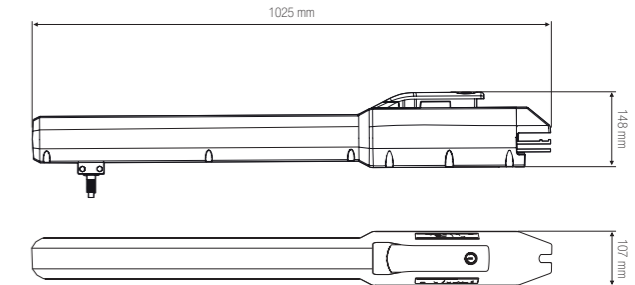


For more information visit us at liftmaster.eu or contact your local dealer.



300N

MYQ DC GATE OPERATOR
FOR GATES UP TO 700 KG.



SCS500-24 300N
MYQ DC GATE OPERATOR
FOR GATES UP TO 700 KG



LiftMaster

© 2018 LiftMaster All Rights Reserved
Chamberlain GmbH, Alfred-Nobel-Str. 4, D-66793, Saarwellingen
LiftMaster.eu, WEEE-Reg.Nr. DE66256568
MyQ® is a registered trademark of Chamberlain Group
HomeLink® is a trademark of Gentex Corporation
9SSCS500-24-02