

SLY524BK-EV MYQ DC SLIDING GATE OPERATOR KIT

Maintenance-free, ultra-quiet for gates in residential areas.



KEY FEATURES

SLIDING DRIVE

For gates up to 8 m wing width

OPENING

For max. wing weight 500 kg

MYQ

Compatible



SMART

SLIDING DRIVE SYSTEM FOR POWERFUL PERFORMANCE.

SOFT-START AND SOFT-STOP FOR SMOOTH OPERATION.

MYQ MOBILE APP LETS USERS RECEIVE ALERTS AND CONTROL THE OPENER FROM ANYWHERE.

PEDESTRIAN MODE PARTIAL OPENING POSSIBLE.

QUIET AND RELIABLE

QUIET DC MOTOR ELIMINATES NOISE AND VIBRATIONS AND PROVIDES SMOOTH OPERATION.

OPENING POWER OPERATES GATES UP TO 500 KG.

MAINTENANCE-FREE DRIVE ENSURES QUIET & DURABLE OPERATION.

WARRANTY 2 YEARS.

SECURE & SAFE

AUTOMATIC GATE OPERATOR IMPEDES UNAUTHORIZED ACCESS TO THE PROPERTY.

TIMER-TO-CLOSE AUTOMATICALLY CLOSES THE GATE AFTER A PRESET AMOUNT OF TIME.

EVOLUTION RADIO (SECURITY+ 2.0®) SENDS A NEW CODE WITH EVERY REMOTE CLICK.

AUTOMATIC FORCE SETTING & OBSTACLE DETECTION.

FOR GATES IN RESIDENTIAL AREAS.

SLY524BK-EV

INCLUDED ACCESSORIES:

4-CHANNEL REMOTE CONTROL

Operates up to 4 openers. Compact to provide quick, easy gate access.



TX4EV

MYQ CONTROL BOARD

For 24 V sliding gate operators. With integrated radio module.



CB202EV

POWERFUL ADD-ONS:

INTERNET GATEWAY

MyQ technology that connects to the internet and allows monitoring and operating the gate opener.



828EV

GATE MONITOR

MyQ® enabled technology allows monitoring and closing up to four gates from any room in the house.



829EV

WIRELESS KEYPAD

Provides convenient, secure access from outside the gate with a 4-digit PIN, temporary PIN possible.



747EV

LED FLASHING LIGHT

Lamp flashes while the drive is in action. Applicable for all garage door and gate door openers.



FLA1-LED

FAILSAFE SAFETY SENSOR

2-wire system with LiftMaster signal IP44, range 15 meters.



772E

PVC RACK 1m

2 x 0.5 m, Includes screws Easy to install, Module 4



202127

MASTERFUL ENGINEERING.

MOTOR



- Residential 24 V DC
- Automatic Thermal Protection
- Permanent Lubrication

POWER



- Voltage IN: 230-240 V AC
- Frequency: 50/60 Hz
- Motor Voltage: 24 V DC
- Power Nom.: 60 W
- Torque: 12 Nm

MECHANICS



- Motor Speed: 2200 rpm
- Speed: 12 m/min
- Motor Duty Cycle ED: 100%
- Max. Cycles per Day: 50
- Working Temperatures Range: -20 +55 °C
- Protection Class: I
- Degree of Protection: IP44

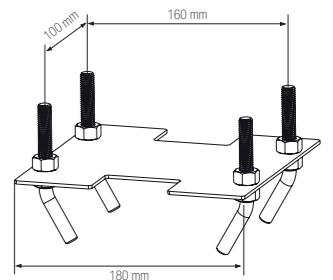
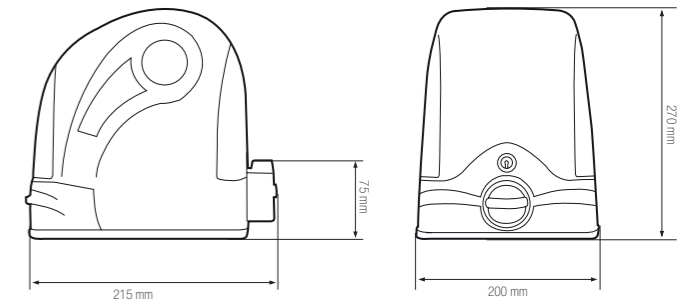
STANDARD SPECS.

GATE DIMENSIONS

- Max. wing width / weight
- 8 m / 500 kg

12 Nm

MYQ DC SLIDING GATE OPERATOR KIT
FOR GATES UP TO 500 KG.



SAFETY AND SECURITY.

- Emergency Release Key
- Close Safety Reverse
- Install all equipment in compliance with EN60335-2-103



For more information visit us at liftmaster.eu or contact your local dealer.

SLY524BK-EV 12 Nm
MYQ DC SLIDING GATE OPERATOR KIT
FOR GATES UP TO 500 KG

© 2018 LiftMaster All Rights Reserved
Chamberlain GmbH, Alfred-Nobel-Str. 4, D-66793, Saarwellingen
LiftMaster.eu, WEEE-Reg.Nr. DE66256568
MyQ® is a registered trademark of Chamberlain Group
HomeLink® is a trademark of Gentex Corporation
9SSLY524BK-EV-02



LiftMaster